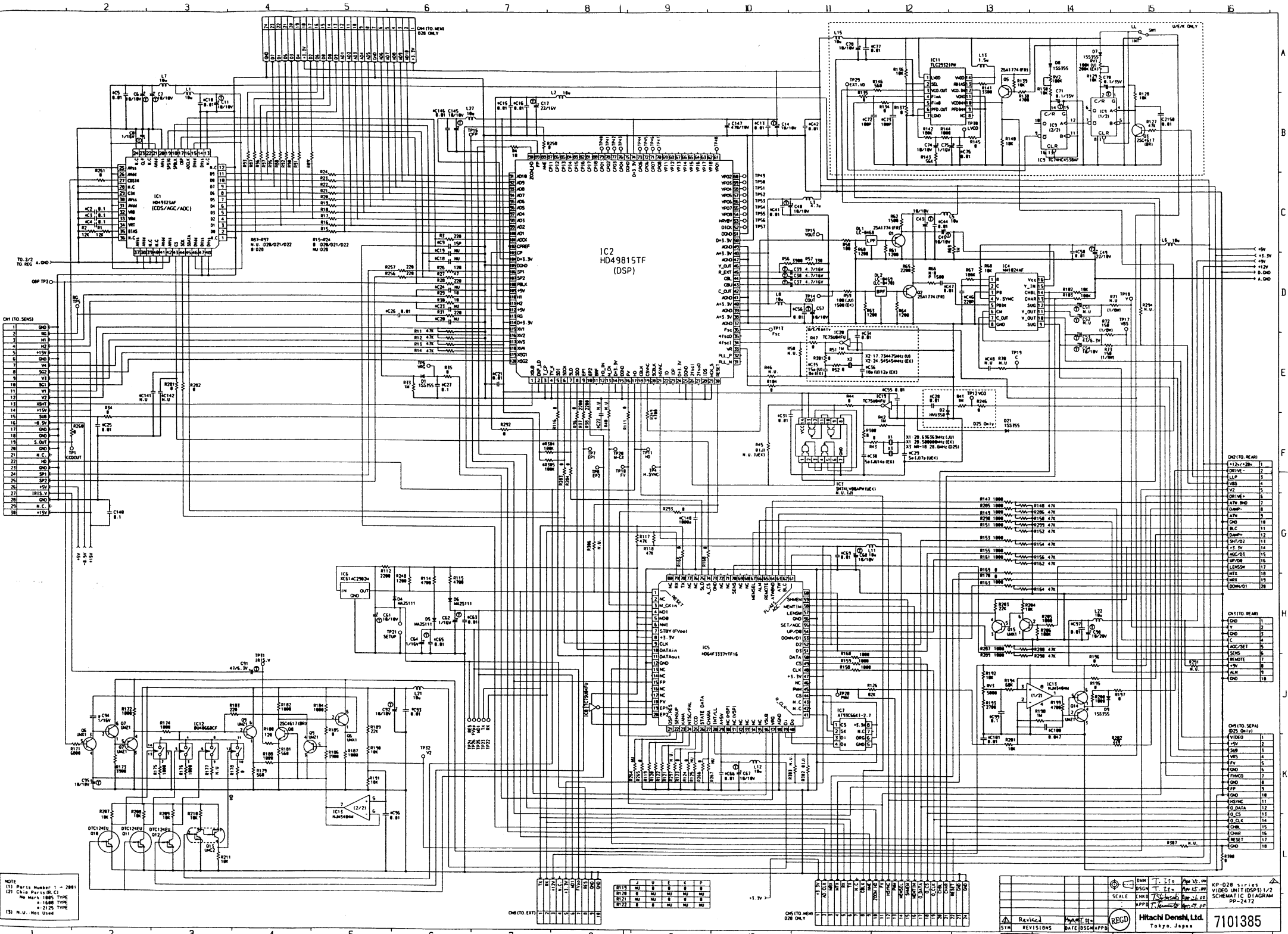


NOTE  
 (1) Parts Number 1 → 1001  
 (2) Chip Parts (R. C)  
 No Mark: 1608 TYPE  
 \*: 2125 TYPE  
 (3) N.U.: Not Used

					DWN	T. Ishikawa	Feb. 10. 00	KP-D591 SENS UNIT (PP-2478) SCHEMATIC DIAGRAM	
					DSGN	T. Ishikawa	Feb. 10. 00		
					SCALE	CHKD	K. Yamano		Feb. 10. 00
						APPD	T. Teramoto		Feb. 10. 00
	REVISED		May. 11		REGD	Hitachi Denshi, Ltd.		7367513	
SYM	REVISIONS	DATE	DSGN	APPD	Tokyo, Japan				



OH (TO REAR)

1	OH
2	OH
3	OH
4	OH
5	OH
6	OH
7	OH
8	OH
9	OH
10	OH
11	OH
12	OH
13	OH
14	OH
15	OH
16	OH
17	OH
18	OH
19	OH
20	OH
21	OH
22	OH
23	OH
24	OH
25	OH
26	OH
27	OH
28	OH
29	OH
30	OH

NOTE  
 (1) Parts Number 1 - 9991  
 (2) Call Parts List  
 No. Mar. 1985 TYPE  
 No. Apr. 1986 TYPE  
 No. May 1987 TYPE  
 No. Jun. 1988 TYPE  
 No. Jul. 1989 TYPE  
 No. Aug. 1990 TYPE  
 No. Sep. 1991 TYPE  
 No. Oct. 1992 TYPE  
 No. Nov. 1993 TYPE  
 No. Dec. 1994 TYPE  
 No. Jan. 1995 TYPE  
 No. Feb. 1996 TYPE  
 No. Mar. 1997 TYPE  
 No. Apr. 1998 TYPE  
 No. May 1999 TYPE  
 No. Jun. 2000 TYPE  
 No. Jul. 2001 TYPE  
 No. Aug. 2002 TYPE  
 No. Sep. 2003 TYPE  
 No. Oct. 2004 TYPE  
 No. Nov. 2005 TYPE  
 No. Dec. 2006 TYPE  
 No. Jan. 2007 TYPE  
 No. Feb. 2008 TYPE  
 No. Mar. 2009 TYPE  
 No. Apr. 2010 TYPE  
 No. May 2011 TYPE  
 No. Jun. 2012 TYPE  
 No. Jul. 2013 TYPE  
 No. Aug. 2014 TYPE  
 No. Sep. 2015 TYPE  
 No. Oct. 2016 TYPE  
 No. Nov. 2017 TYPE  
 No. Dec. 2018 TYPE  
 No. Jan. 2019 TYPE  
 No. Feb. 2020 TYPE  
 No. Mar. 2021 TYPE  
 No. Apr. 2022 TYPE  
 No. May 2023 TYPE  
 No. Jun. 2024 TYPE  
 No. Jul. 2025 TYPE  
 No. Aug. 2026 TYPE  
 No. Sep. 2027 TYPE  
 No. Oct. 2028 TYPE  
 No. Nov. 2029 TYPE  
 No. Dec. 2030 TYPE

OH (TO EXT)

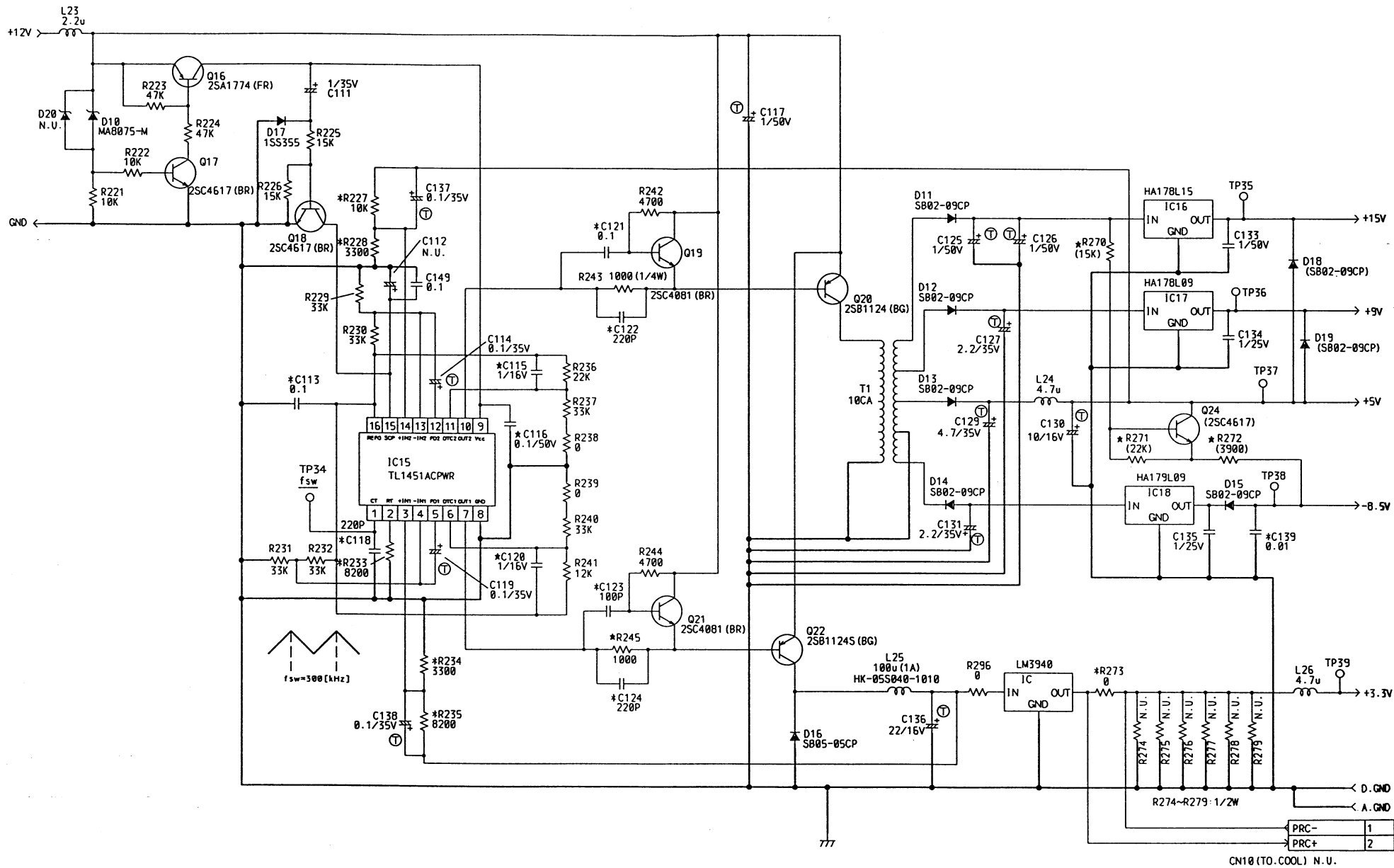
1	OH
2	OH
3	OH
4	OH
5	OH
6	OH
7	OH
8	OH
9	OH
10	OH
11	OH
12	OH
13	OH
14	OH
15	OH
16	OH
17	OH
18	OH
19	OH
20	OH
21	OH
22	OH
23	OH
24	OH
25	OH
26	OH
27	OH
28	OH
29	OH
30	OH

OH (TO REAR)

1	OH
2	OH
3	OH
4	OH
5	OH
6	OH
7	OH
8	OH
9	OH
10	OH
11	OH
12	OH
13	OH
14	OH
15	OH
16	OH
17	OH
18	OH
19	OH
20	OH

OH (TO SEPA)

1	OH
2	OH
3	OH
4	OH
5	OH
6	OH
7	OH
8	OH
9	OH
10	OH
11	OH
12	OH
13	OH
14	OH
15	OH
16	OH
17	OH
18	OH
19	OH
20	OH



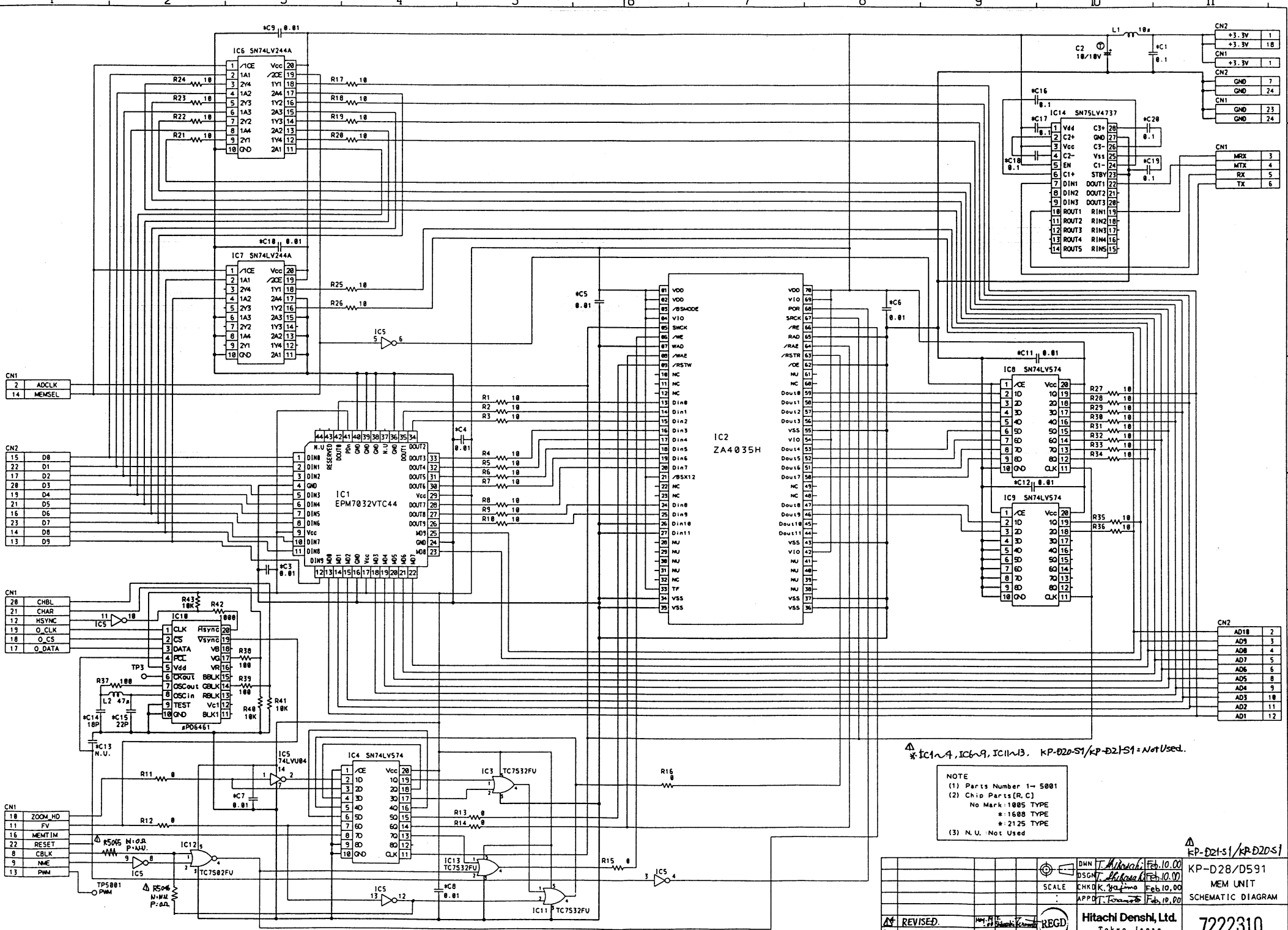
No.		
IC15-18	C111-139	T1
Q16-22	R221-245	CN1-2
D10-16	L23-26	TP34-39

NOTE  
 (1) Parts Number 1 → 2001  
 (2) Chip Parts (R, C)  
 No Mark: 1005 TYPE  
 \*: 1608 TYPE  
 \*: 2125 TYPE  
 (3) N.U.: Not Used

SYM	REVISIONS	DATE	DSGN	APPD

REGD  
 Hitachi Denshi, Ltd.  
 Tokyo, Japan

KP-D20 series  
 VIDEO UNIT (DSP3) 2/2  
 SCHEMATIC DIAGRAM  
 PP-2472  
 7367508



CN1	2	ADCLK
CN1	14	MEMSEL

CN2	15	D8
CN2	22	D1
CN2	17	D2
CN2	20	D3
CN2	19	D4
CN2	21	D5
CN2	16	D6
CN2	23	D7
CN2	14	D8
CN2	13	D9

CN1	28	CHBL
CN1	21	CHAR
CN1	12	HSYNC
CN1	19	O_CLK
CN1	18	O_CS
CN1	17	O_DATA

CN1	18	ZOOM_HD
CN1	11	FV
CN1	16	MEMTIM
CN1	22	RESET
CN1	8	CBCLK
CN1	9	NME
CN1	13	PWM

CN2	+3.3V	1
CN1	+3.3V	18
CN2	+3.3V	1
CN2	GND	7
CN1	GND	24
CN1	GND	24

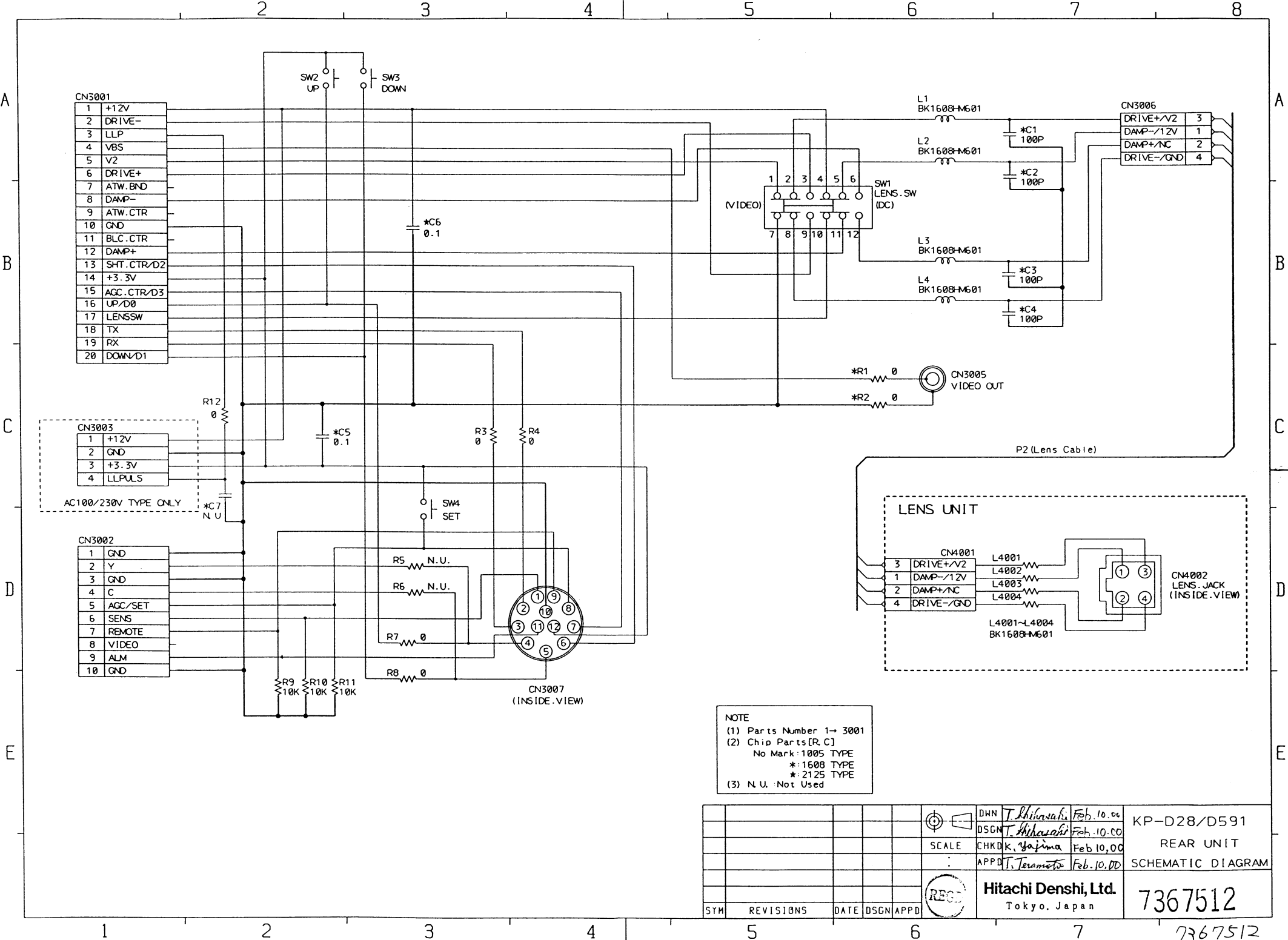
CN1	MRX	3
CN1	TX	5

CN2	AD18	2
CN2	AD9	3
CN2	AD8	4
CN2	AD7	5
CN2	AD6	6
CN2	AD5	8
CN2	AD4	9
CN2	AD3	10
CN2	AD2	11
CN2	AD1	12

\*IC1-4, IC6-9, IC11-13. KP-D21-S1/KP-D21-S1 = Not Used.

NOTE  
 (1) Parts Number 1-5001  
 (2) Chip Parts (R, C)  
 No Mark: 1005 TYPE  
 #: 1608 TYPE  
 #: 2125 TYPE  
 (3) N.U.: Not Used

REVISED	DATE	DSGN	APPD		Hitachi Denshi, Ltd. Tokyo, Japan	7222310
SYN	REVISIONS	DATE	DSGN	APPD	DSN T. Mikawa Feb. 10. 00 DSGN T. Mikawa Feb. 10. 00 CHKD K. Yamano Feb. 10. 00 APPD T. Tomaru Feb. 10. 00	KP-D21-S1/KP-D21-S1 MEM UNIT SCHEMATIC DIAGRAM



CN3001

1	+12V
2	DRIVE-
3	LLP
4	VBS
5	V2
6	DRIVE+
7	ATW.BND
8	DAMP-
9	ATW.CTR
10	GND
11	BLC.CTR
12	DAMP+
13	SHT.CTR/D2
14	+3.3V
15	AGC.CTR/D3
16	UP/D0
17	LENSSW
18	TX
19	RX
20	DOWN/D1

CN3003

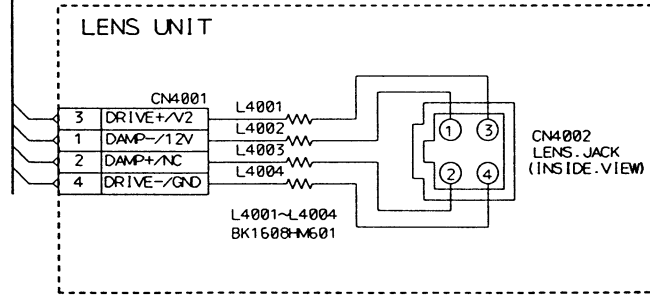
1	+12V
2	GND
3	+3.3V
4	LLPULS

CN3002

1	GND
2	Y
3	GND
4	C
5	AGC/SET
6	SENS
7	REMOTE
8	VIDEO
9	ALM
10	GND

CN3006

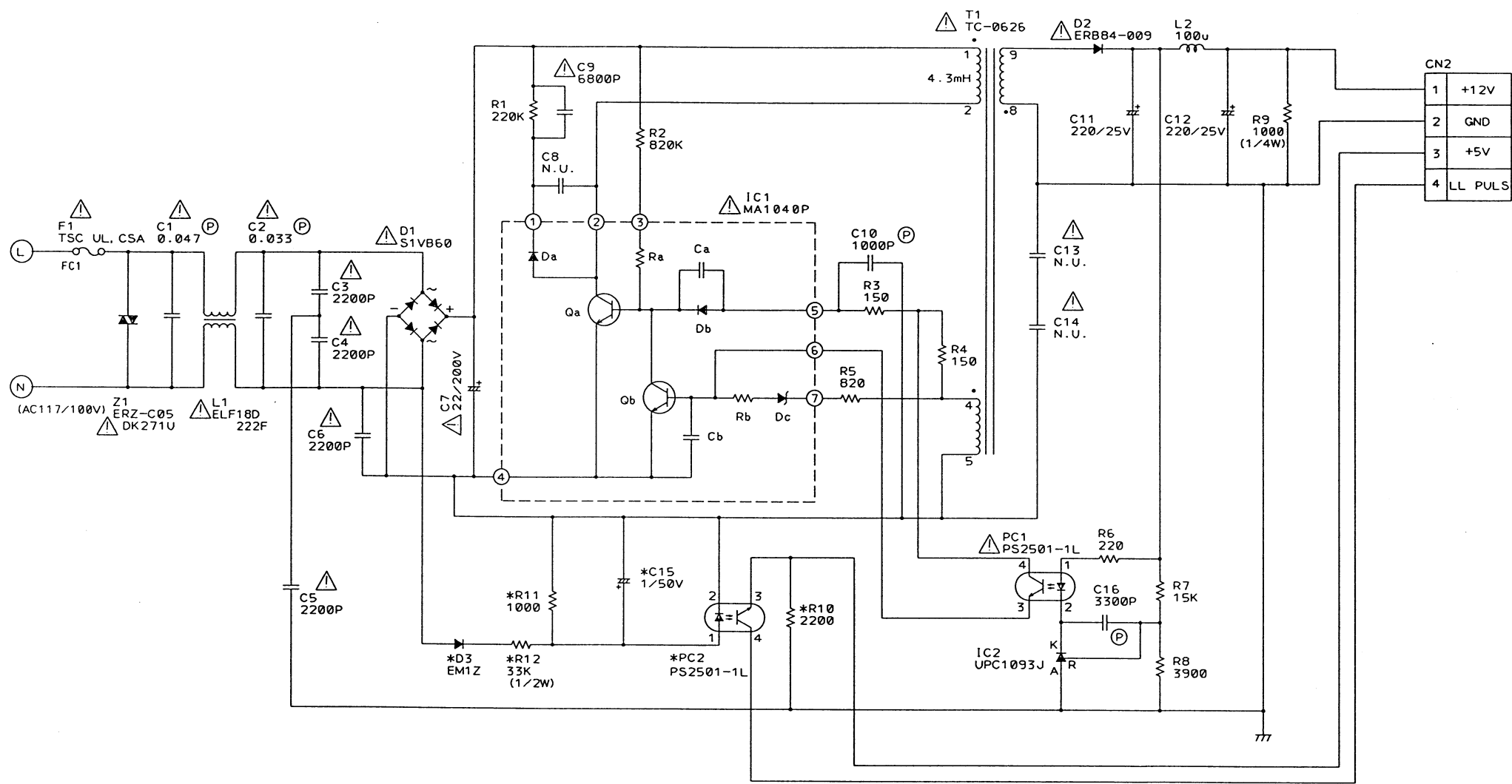
DRIVE+V2	3
DAMP-12V	1
DAMP+NC	2
DRIVE-/GND	4



NOTE

(1) Parts Number 1→ 3001  
 (2) Chip Parts[R,C]  
 No Mark:1005 TYPE  
 \*:1608 TYPE  
 \*:2125 TYPE  
 (3) N.U.:Not Used

						DWN	T. Shiiwahi	Feb.10.00	KP-D28/D591 REAR UNIT SCHEMATIC DIAGRAM	
						DSGN	T. Shiiwahi	Feb.10.00		
						SCALE	CHKD	K. Yajima		Feb.10.00
						APPD	T. Teramoto	Feb.10.00		
							REGD		Hitachi Denshi, Ltd. Tokyo, Japan	
SYM	REVISIONS	DATE	DSGN	APPD						
							7367512		7367512	

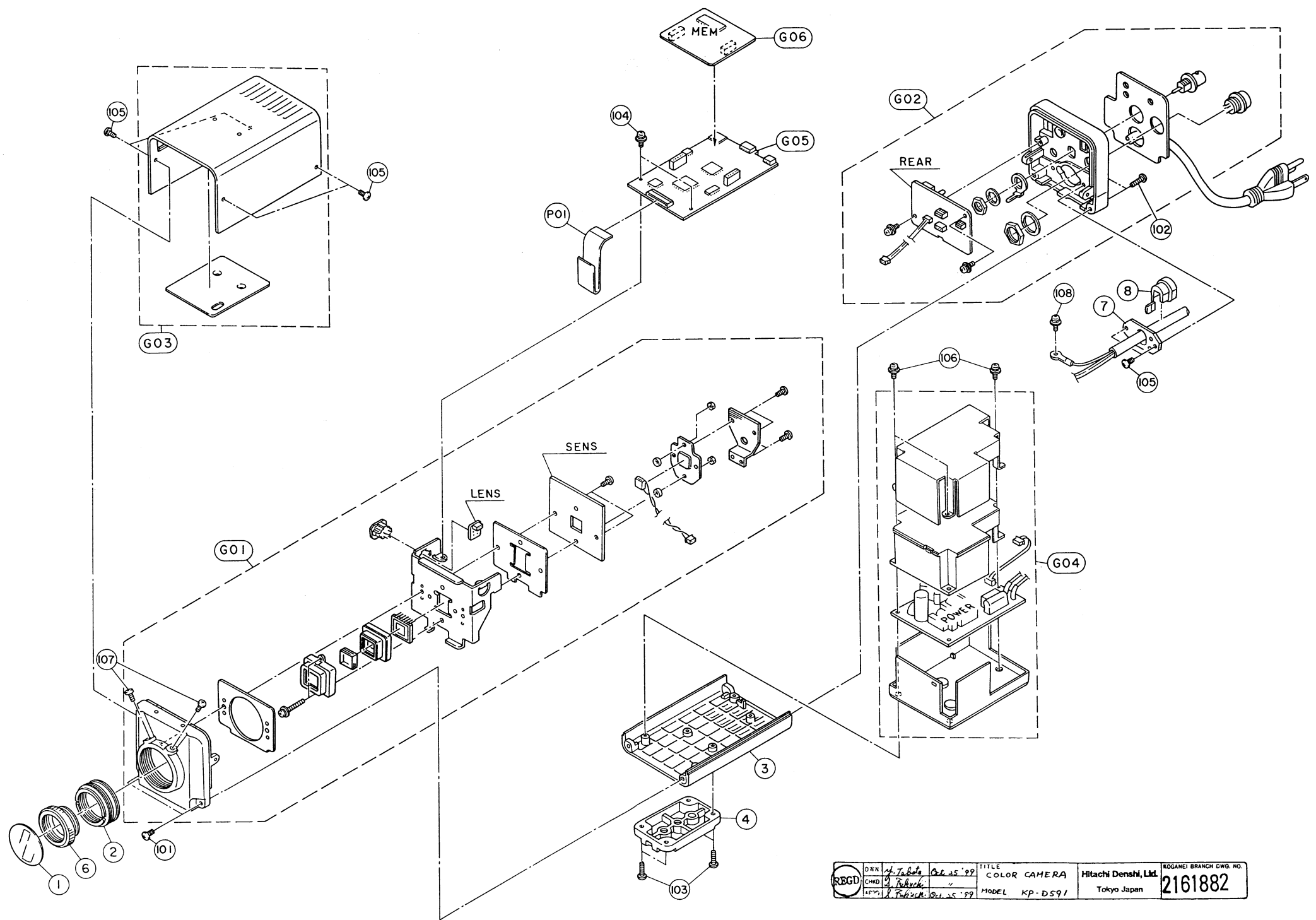


1	+12V
2	GND
3	+5V
4	LL PULS

- PRODUCT SAFETY NOTICE -  
 Components marked with a  $\triangle$  have special characteristics important to safety. Before replacing any of these components, read carefully the "PRODUCT SAFETY NOTICE" of the service manual. Do not regrade the safety of this camera through improper servicing.

\* J Type Not Used

						DWN <i>T. Mihawaki</i> Feb. 10. 00 DSGN <i>T. Mihawaki</i> Feb. 10. 00 SCALE CHKD <i>K. Yuzuma</i> Feb. 10. 00 APPD <i>G. Teramoto</i> Feb. 10. 00	KP-D28/591 POWER-JU SCHEMATIC DIAGRAM
						Hitachi Denshi, Ltd. Tokyo, Japan	7367511
SYM	REVISIONS	DATE	DSGN	APPD			



RBGD	DWN	<i>M. Takahashi</i>	<i>Oct 25 '89</i>	TITLE	COLOR CAMERA	Hitachi Denshi, Ltd. Tokyo Japan	KOGANEI BRANCH DWG. NO. <b>2161882</b>
	CHNG	<i>T. Takahashi</i>					
	APPV	<i>T. Takahashi</i>	<i>Dec 25 '89</i>	MODEL	KP-D591		